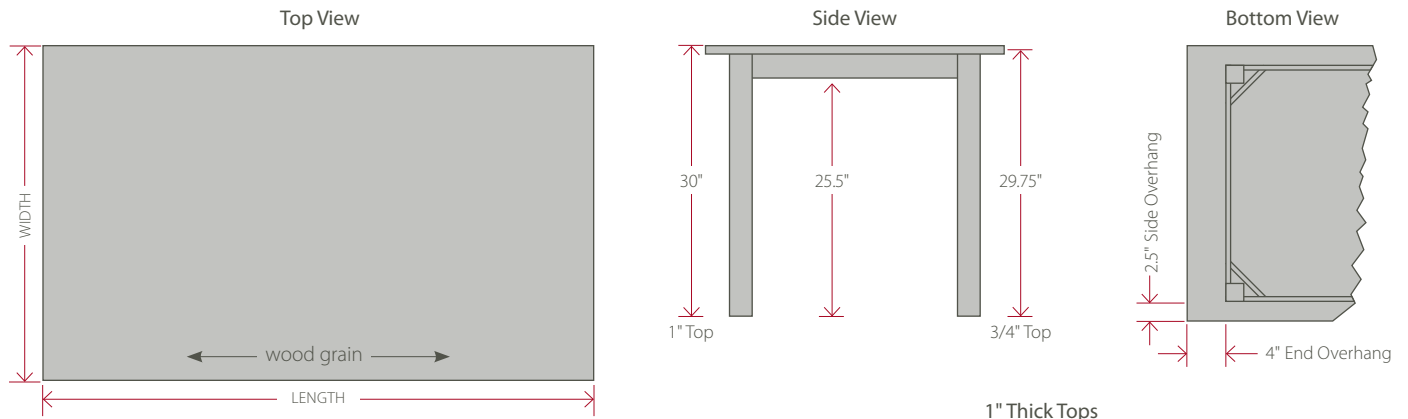


# Design Your Own Fixed Top Dining Table

Benchmade tables with tops crafted from solid Cherry, Ash, Walnut or Maple.

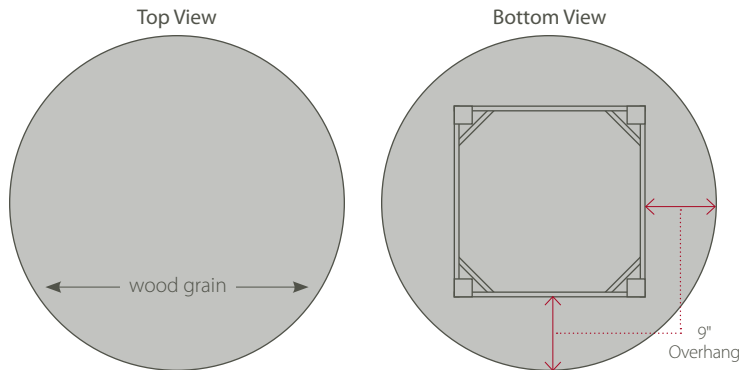


## 3/4" Thick Tops

		LENGTH						
		36"	42"	48"	54"	60"	66"	72"
WIDTH	36"	10245	10246	10247	10248	10249	10250	10251
	38"		10253	10254	10255	10256	10257	10258
	40"		10260	10261	10262	10263	10264	10265
	42"		10267	10268	10269	10270	10271	10272
	44"			10275	10276	10277	10278	10279

## 1" Thick Tops

		LENGTH								
		48"	54"	60"	66"	72"	78"	84"	90"	96"
WIDTH	38"	10045	10046	10047	10048	10049	10050	10051	10052	10053
	40"	10054	10055	10056	10057	10058	10059	10060	10061	10062
	42"	10063	10064	10065	10066	10067	10068	10069	10070	10071
	44"	10072	10073	10074	10075	10076	10077	10078	10079	10080
	46"	10081	10082	10083	10084	10085	10086	10087	10088	10089
	48"	10090	10091	10092	10093	10094	10095	10096	10097	10098



## 3/4" Thick Tops

DIAMETER	
42"	10242
45"	10243
48"	10244

## 1" Thick Tops

DIAMETER	
42"	10041
48"	10042
54"	10043
60"	10044

11.5" Overhang

## Edges (side view)

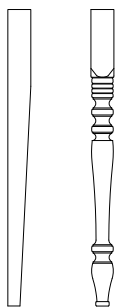


## Corners (top view)



## Small Legs

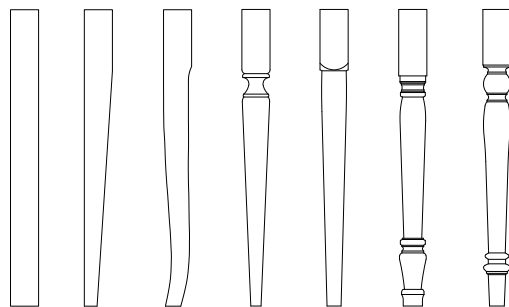
(2.25" x 2.25" x 29")



Oscoda Newport\*

## Medium Legs

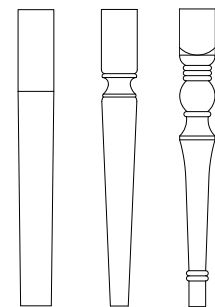
(2.75" x 2.75" x 29")



Block Tapered Cabriole Rhone Shaker\* Turned\* Providence\*

## Large Legs

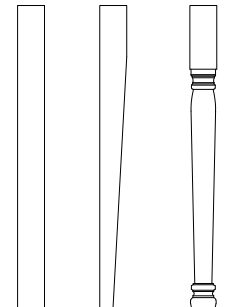
(3.5" x 3.5" x 29") extra charge



Casco Regency Overland\*

## Counter Height Legs

(2.75" x 2.75" x 35") extra charge



CH Block CH Tapered CH Turned\*

\* These legs have a rounded or turned profile. Unmarked legs have a straight or tapered profile.