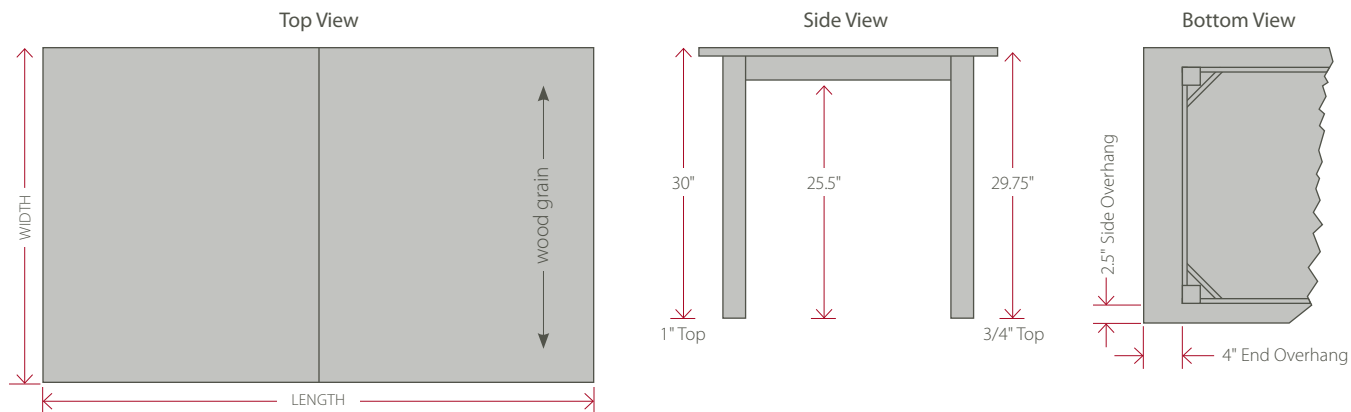


# Design Your Own Extension Dining Table

Benchmade tables with one 18" self-storing leaf and tops crafted in all wood and finish selections.

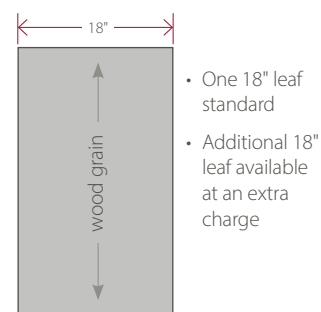


**3/4" Thick Tops**

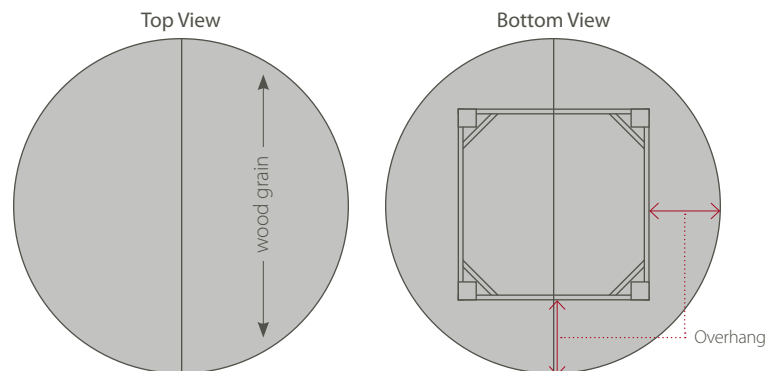
		LENGTH				
		48"	54"	60"	66"	72"
WIDTH	36"	10350	10351	10352	10353	10354
	38"	10355	10356	10357	10358	10359
	40"	10360	10361	10362	10363	10364
	42"		10365	10366	10367	10368
	44"		10369	10370	10371	10372

**1" Thick Tops**

		LENGTH					
		66"	72"	78"	84"	90"	96"
WIDTH	40"	10150	10151	10152	10153	10154	10155
	42"	10156	10157	10158	10159	10160	10161
	44"	10162	10163	10164	10165	10166	10167
	46"	10168	10169	10170	10171	10172	10173
	48"	10174	10175	10176	10177	10178	10179



Rectangular tables self-store one leaf only. Round Table leaf does not self-store.



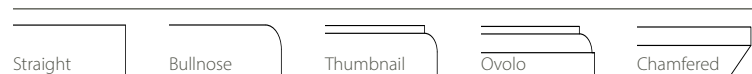
**3/4" Thick Tops**

DIAMETER		
42"	10347	8" Overhang
45"	10348	9" Overhang
48"	10349	9" Overhang

**1" Thick Tops**

DIAMETER		
42"	10146	8" Overhang
48"	10147	9" Overhang
54"	10148	9" Overhang
60"	10149	11.5" Overhang

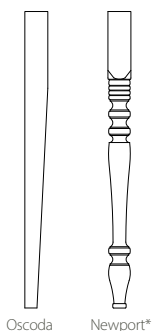
## Edges (side view)



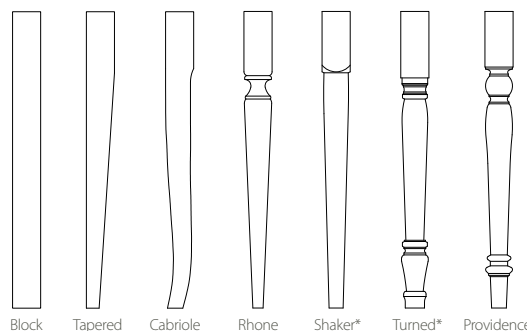
## Corners (top view)



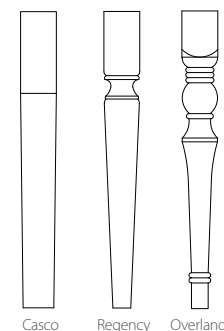
## Small Legs (2.25" x 2.25" x 29")



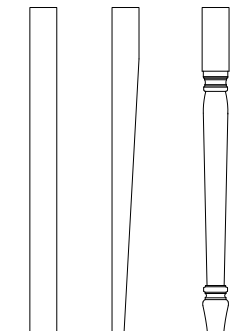
## Medium Legs (2.75" x 2.75" x 29")



## Large Legs (3.5" x 3.5" x 29") extra charge



## Counter Height Legs (2.75" x 2.75" x 35") extra charge



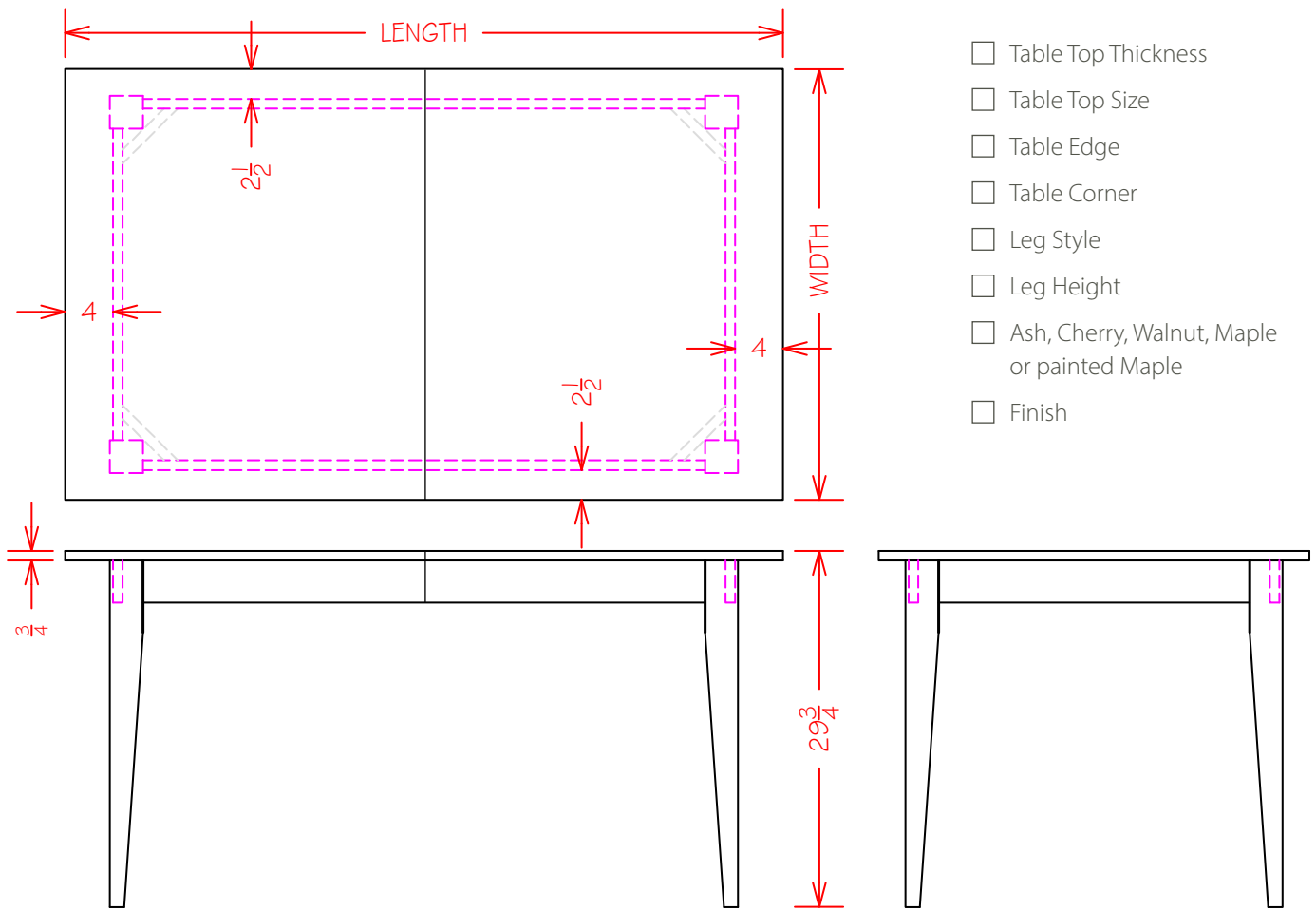
\* These legs have a rounded or turned profile. Unmarked legs have a straight or tapered profile.

CH Block CH Tapered CH Turned\*



# DYO – Custom Tables Built Just For You.

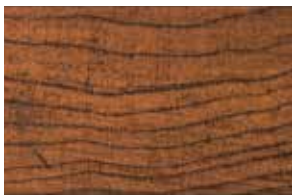
Select your hand-crafted elements



## Table Top Thickness



3/4"



1"

## Table Edge Options



Straight



Bullnose



Chamfered



Thumbnail



Ovolo



# DYO – Custom Tables Built Just For You.

## Table Corner Options



Sharp



Soft



Round



Clipped

## Leg Design Options

### Small (2¼") Legs



Oscoda



Newport

### Medium (2¾") Legs



Block



Tapered



Cabriole



Rhone



Shaker



Turned



Providence

### Large (3½") Legs



Casco



Regency



Overland

## Counter Height Legs



Block



Tapered



Turned

## Self-Storing Leaves



A self-storing leaf conveniently stows away beneath the rectangular extension table tops.